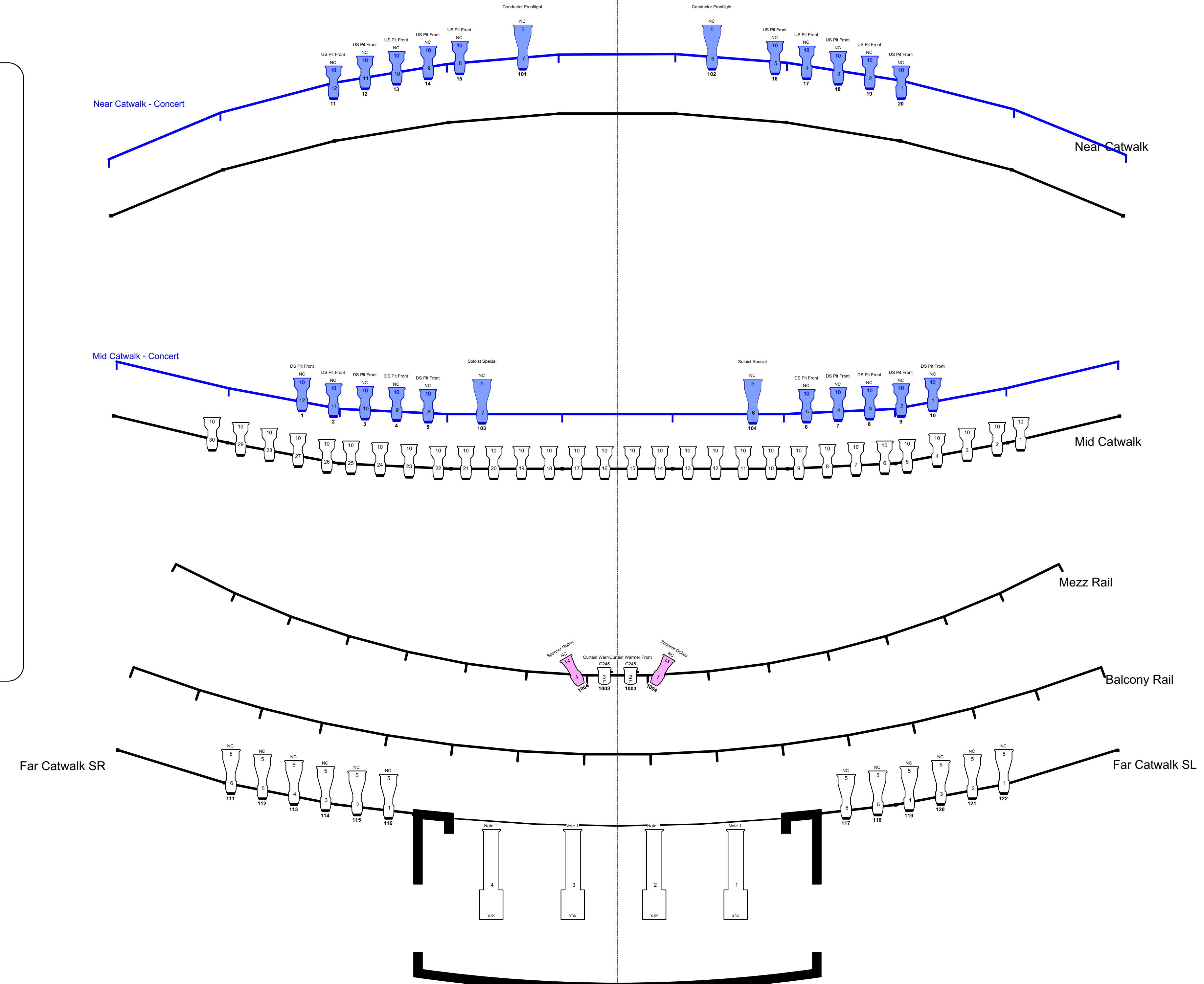
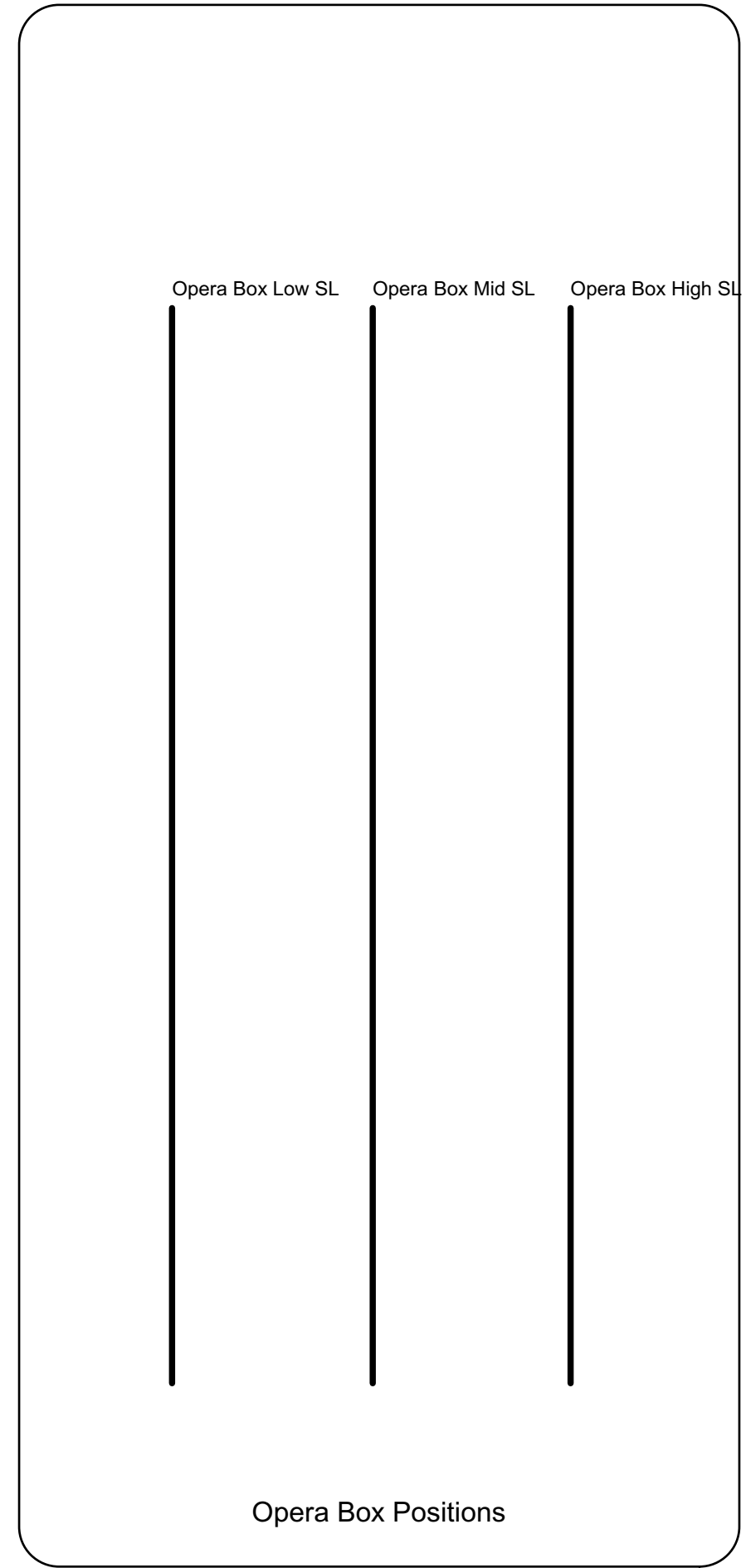
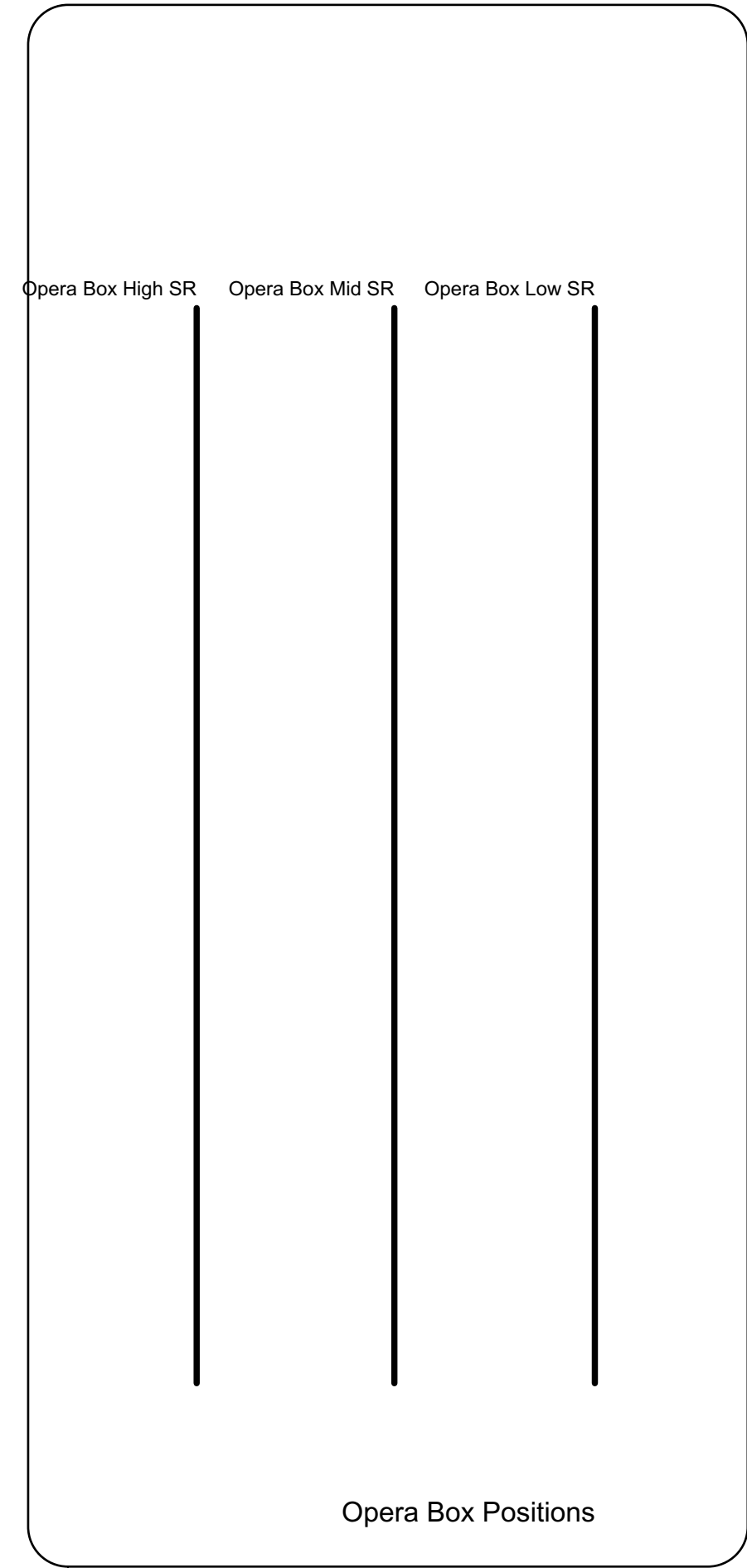
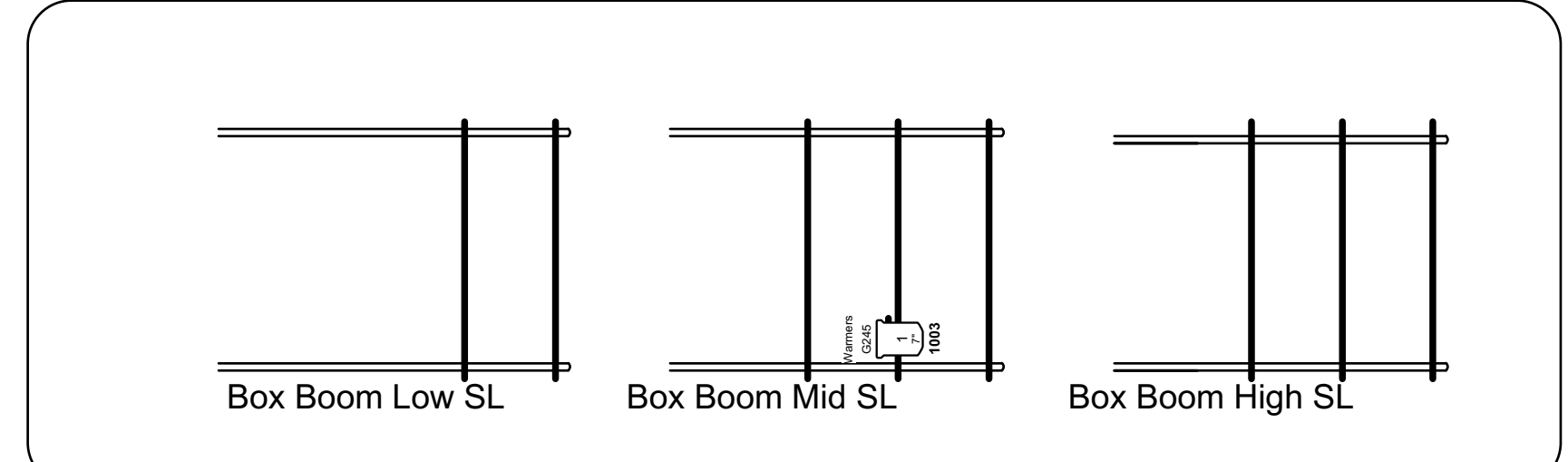
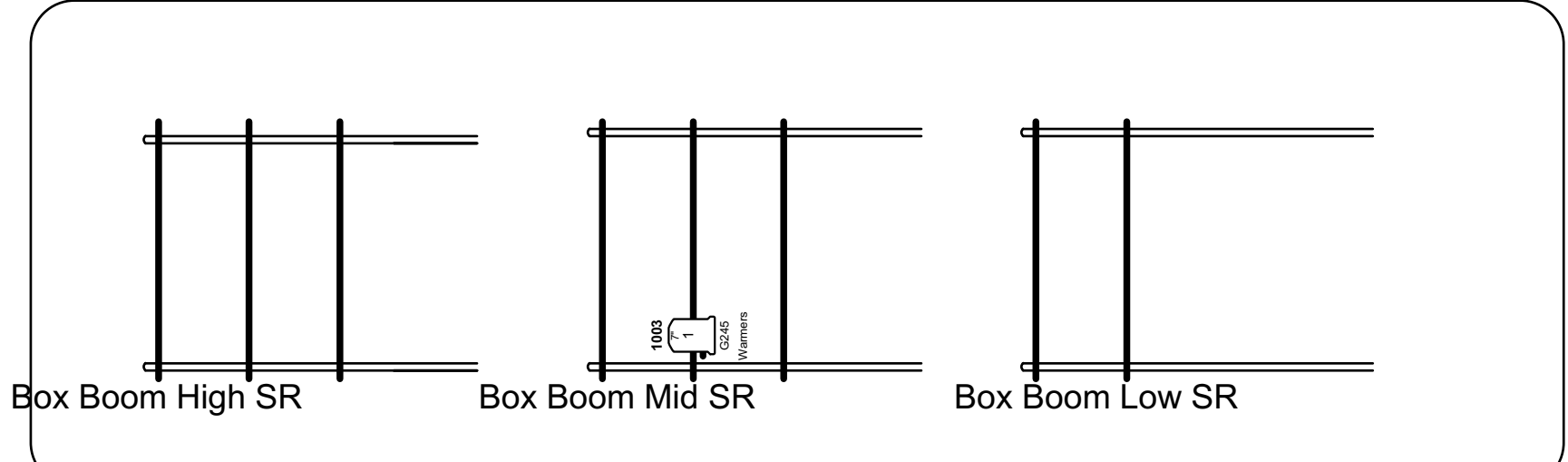
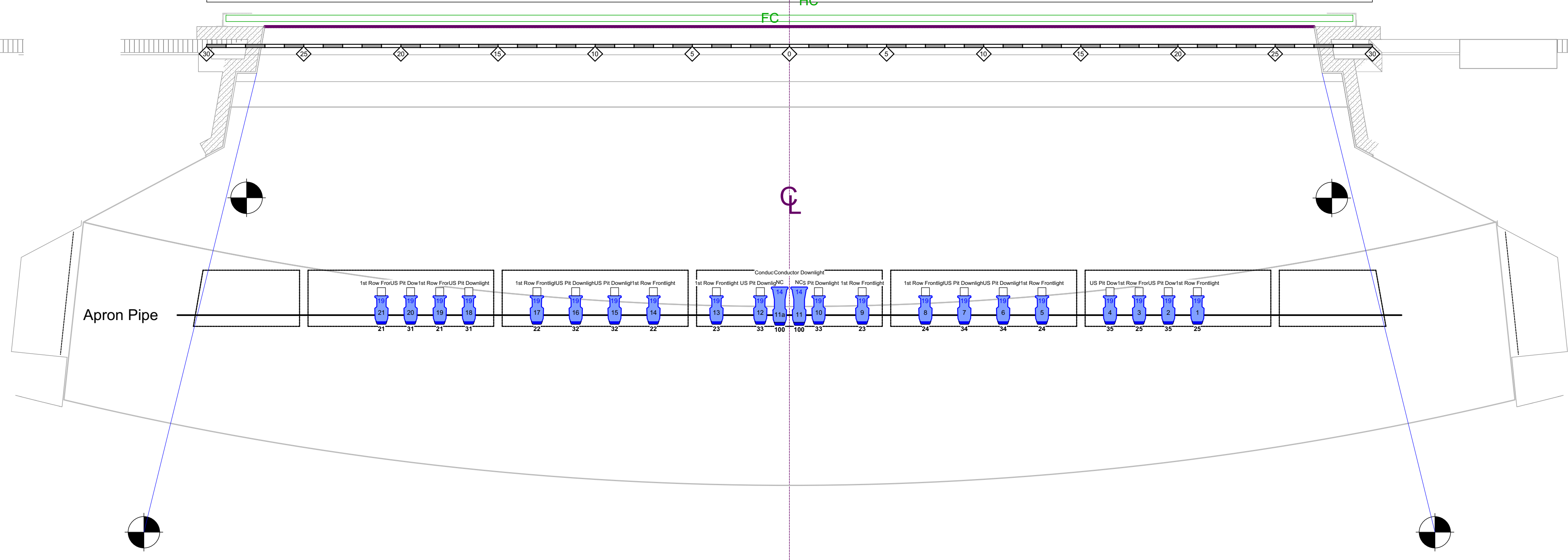
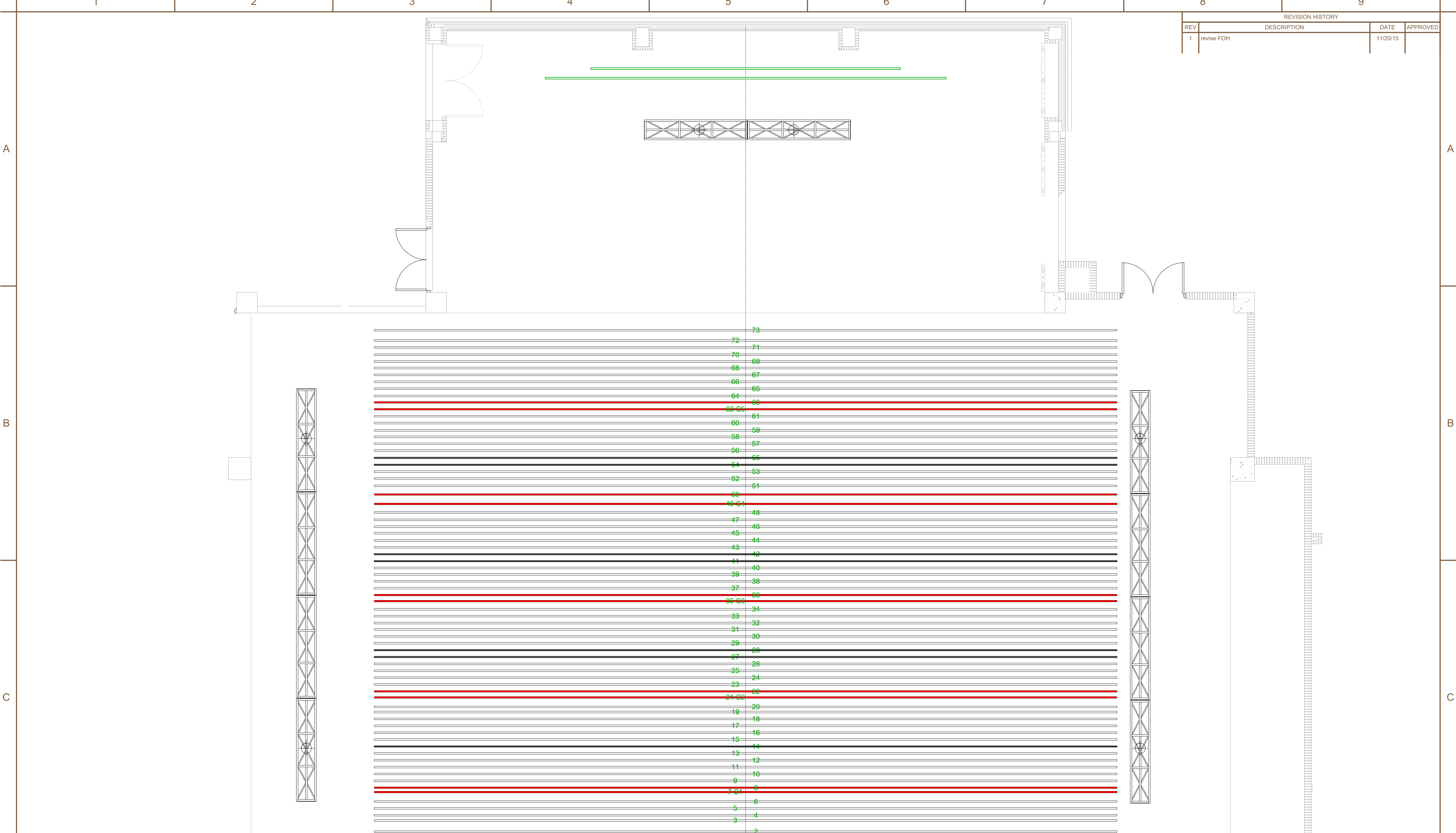


REVISION HISTORY			
REV	DESCRIPTION	DATE	APPROVED
1	revise FOH	11/20/15	



Long Center for the Performing Arts
 701 W. Riverside Drive
 Austin, TX 78704
 512-457-5100

Template File - Dell Hall
Lighting Plan View

MASTER ELECTRICIAN: Todd Drga 512-457-5134

SCALE: 1/4"=1'0" DATE: 11/20/2012 DRWN: TD REV: 1